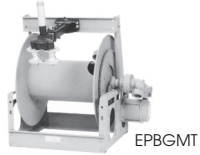
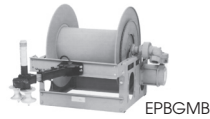
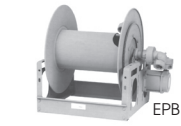


HANNAY REELS



SERIES PB

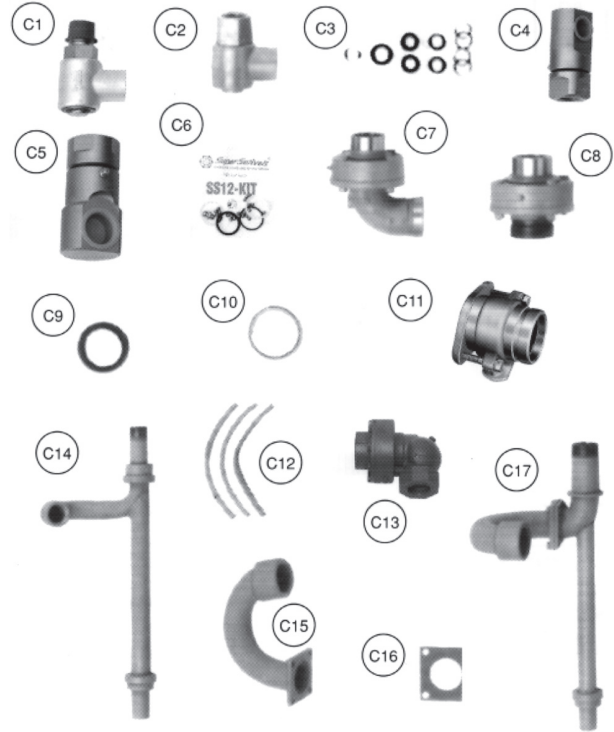
Explosion-proof power rewind reels. Standard inlet is 90° ball bearing swivel joint with 1 1/2" female NPT threads. Reels are available with top or bottom mounted guide master for use when recovery is at an angle other than straight off the reel.

MODEL NUMBER*	1" HOSE CAPACITY
*24-23-24	125'
30-23-24	150'
28-25-26	200'

* Add Prefix EPB, EPBGM or EPBGMT to model number to specify style reel desired.

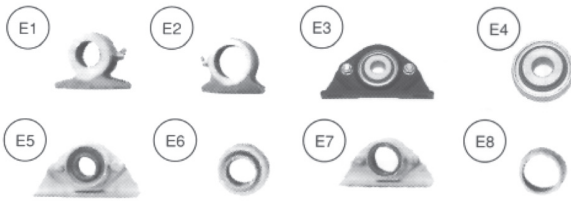
HANNAY REEL PARTS ID GUIDE

SWIVEL JOINTS, RISERS, HUB ASSEMBLIES



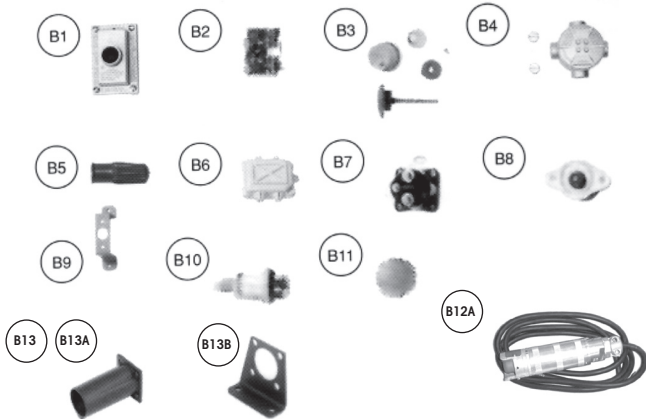
ITEM NO.	DESCRIPTION
C1	1/2" 90° MxF Barco Swivel
C2	1" 90° FxF Barco Swivel
C3	Barco Repair Kit (Specify Size)
C4	1/2" 90° FxF Super Swivel
C5	1" 90° FxF Super Swivel
C6	Super Swivel Repair Kit (Specify Size)
C7	1-1/2" 90° FxFxV Hannay Swivel (HJ1590)
C8	1-1/2" Straight FxFxV Hannay Swivel (HJ15180)
C9	1-1/2" PK-1 Packing (Buna Seal)
C10	HJB-1 Ball Bearing Unit (For Hannay Swivels)
C11	1-1/2" Straight Threaded H-5 Joint
C12	H-5C Rope Packing Seal for H-5 Joint
C13	1-1/2" 90° FxF Full-Circle Swivel
C14	1" FIPT Iron Welded Hub Assembly
C15	1-1/2" FIPT Iron Flanged Riser
C16	H-150G Gasket for 1-1/2" Riser
C17	1-1/2" Hub Assy Complete (Specify Model)

BEARINGS



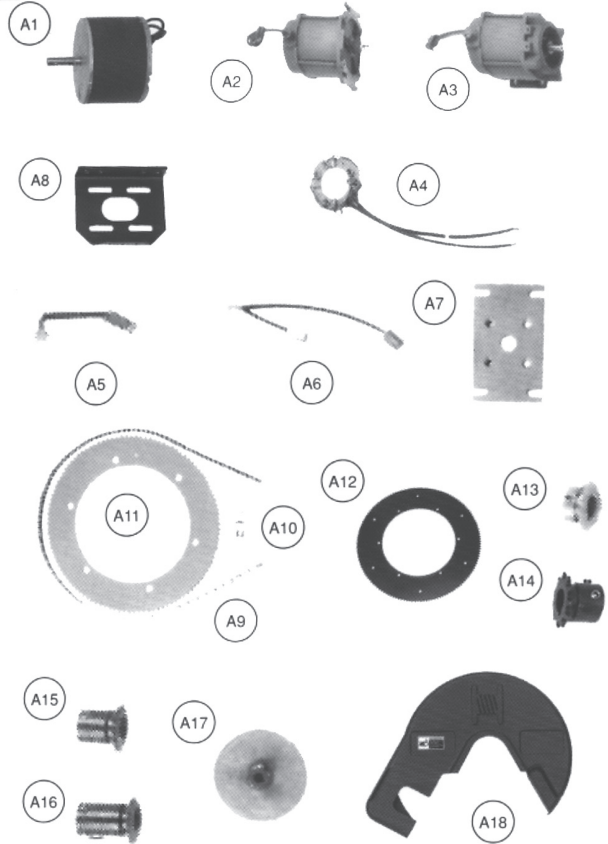
ITEM NO.	DESCRIPTION
E1	1" Bronze Bearing (H-41B)
E2	1-1/2" Bronze Bearing (H-4B)
E3	1/2" S.A. Ball Bearing Complete
E4	1/2" S.A. Ball Bearing Insert
E5	1" S.A. Ball Bearing Complete
E6	1" S.A. Ball Bearing Insert
E7	1-1/2" S.A. Ball Bearing Complete
E8	1-1/2" S.A. Bronze Ball Bearing Insert

SWITCHES AND ELECTRICAL



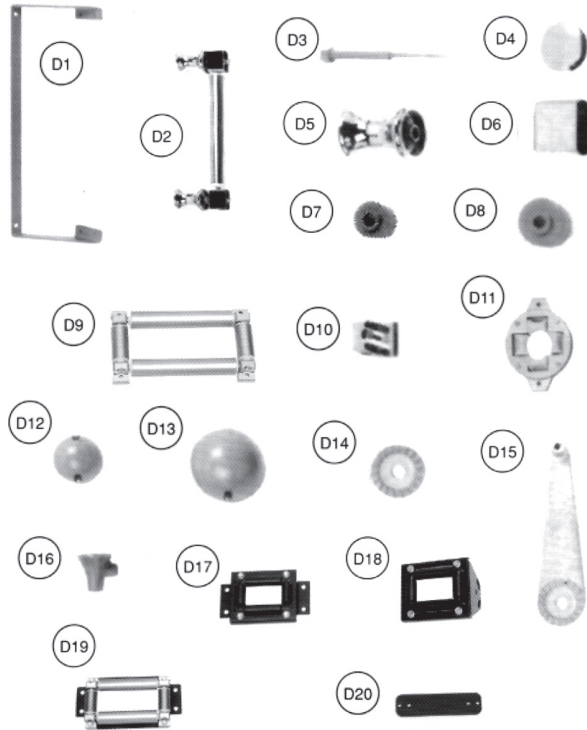
ITEM NO.	DESCRIPTION
B1	Red Dot EXPB-2A Switch (12 Volt)
B2	Red Dot Internal Switch for EXPB-2A
B3	Red Dot Repair Kit
B4	Red Dot 5-Port Round Junction Box/Cover
B5	#6 Wire Nut (For Red Dot Junction Box)
B6	Insulated "Bug" Connector
B7	12 Volt Solenoid (Diode-Suppressed)
B8	SDLM Circuit Breaker (Specify Amperage)
B9	CB-1 Mounting Bracket (for Circuit Breaker)
B10	Push-Button 12 Volt Switch (Less Cap)
B11	Rubber Cap (For Push-Button Switch)
B12A	EPS-1 Switch
B13	EPS-1 Mounting Bracket
B13A	EPS-1 Mounting Bracket (GM700 HEAD)
B13B	Extension Bracket - use with B13A

MOTORS, SPROCKETS, CHAIN



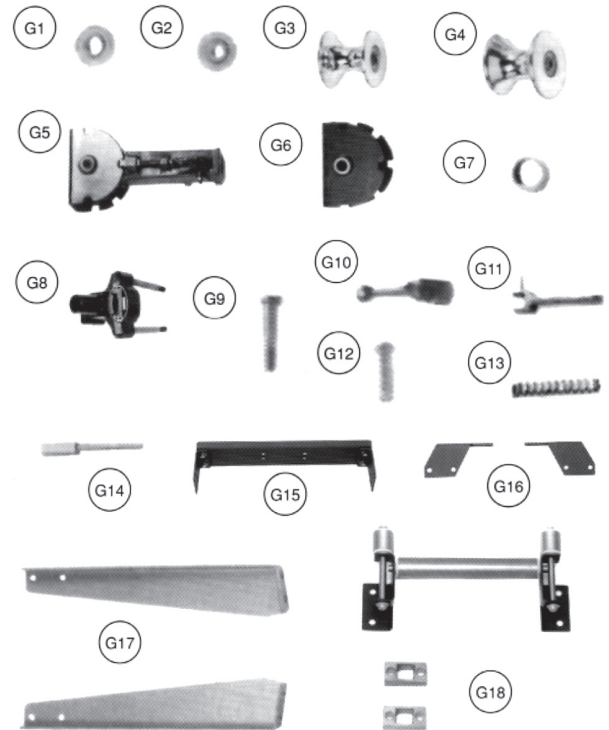
ITEM NO.	DESCRIPTION
A1	12 Volt Flange Mount Non-Exp-Proof Motor
A2	12 Volt Flange Mount Explosion-Proof Motor
A3	12 Volt Base Mount Explosion-Proof Motor
A4	Brush Board Assembly (w/springs and brushes) for 12 Volt 1/2 HP Motor
A5	Pair of Brushes for 12 Volt non-Exp-proof Motor (#572008)
A6	Two Pairs of Brushes for 12 Volt Explosion-proof Motor (#572000)
A7	Flange Mount Motor Plate for non-Exp-Proof Motor
A8	GH-669 Motor Mounting Plate Right Angle for Non-Exp-Proof Motor
A9	10' Length #35 Chain w/Connecting Link
A10	Connecting Link for #35 Chain
A11	138T35 Disc Sprocket, 16-5/8" Diameter (E-Coated)
A12	146T41 Disc Sprocket, 23-1/2" Diameter (Poly Prime)
A13	11T35 Motor Sprocket, 3/4" Long
A14	11T35 Motor Sprocket, 1-1/16" Long
A15	11T35 Motor Sprocket, 1-5/16" Long
A16	11T35 Motor Sprocket, 1-3/4" Long
A17	Disc & Sprocket for Calliper Brake (#35 Chain)
A18	GH-1041 Molded Chain Guard

ROLLER ASSEMBLIES, CABLE GUIDES, HOSE STOPS



ITEM NO.	DESCRIPTION
D1	Top Wind FH-3 Mtg. Brkt. (Specify Model)
D2	FH-3 Roller & Spool Assy. (Specify Model)
D3	FH-307 Delrin-Over-Steel Step Bolt
D4	FH-309 Chrome Snap Cap
D5	FH-301 Spool
D6	FH-302 Block
D7	FH-303-15 (1.5") Trunion Bearing
D8	FH-303-2 (2") Trunion Bearing
D9	Utility Hose Roller Assy. "C" (Spec. Model)
D10	EH-650 Mounting Block (Plated)
D11	EH-714 Roller Assembly
D12	HS-3 Hose Stop (Specify OD of Hose)
D13	HS-45 Hose Stop (Specify OD of Hose)
D14	GR-4A Guide Arm Positioner
D15	GR-4 Guide Arm
D16	GR-5 Bronze Scoop Cable Guide
D17	"R200" Series Roller Assembly
D18	"N200" Series Roller Assembly
D19	"R300" Series Roller Assembly
D20	Roller Mounting Arm

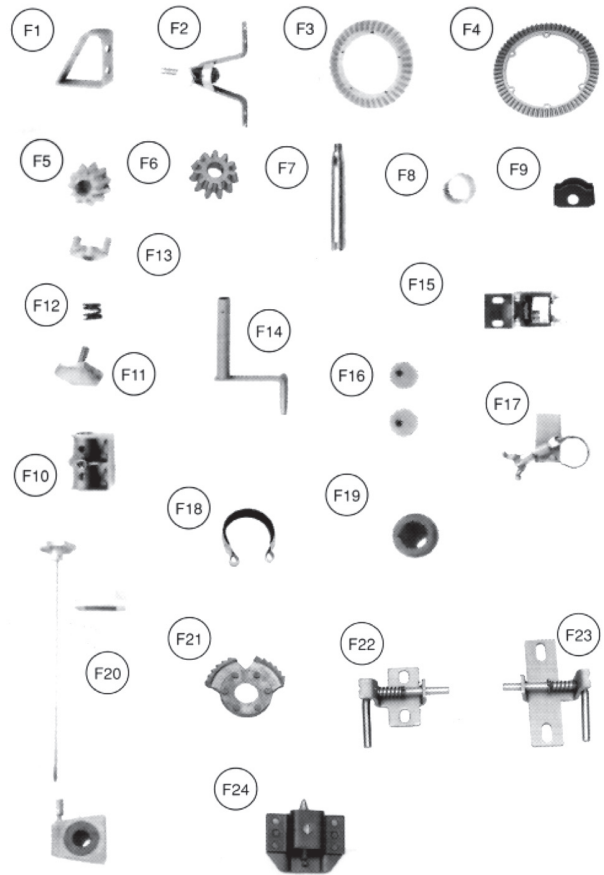
GUIDEMASTER PARTS AND BRACKETS



ITEM NO.	DESCRIPTION
G1	GM-608 Ball Bearing (For GM-609 Roller)
G2	GM-108 Ball Bearing (For GM-109 Roller)
G3	GM-609 Roller w/GM-608 Bearing
G4	GM-109 Roller w/GM-108 Bearing
G7	GM-616 Bronze Bushing
G8	GM-610A Roller Body w/Mtg. Bolts
G9	Pivot Bolt (1/4"-20) and Nut
G10	Positioning Lever
G11	GM-602 Linkage & Pin
G12	Positioning Lever Pin
G13	GM-603 Compression Spring
G14	GM-601 Positioning Bolt
G15	GM Cross Member Assembly (3 Pieces)
G16	GM Bottom-Wind Brackets (Pair)
G17	GM Top-Wind Brackets (Pair)
G18	Assy. "B" Roller (w/Spl. Mtg. Brackets) for Bottom-Wind Guidemaster Reels

REWIND ASSEMBLIES, BRAKES, RATCHETS

ITEM NO.	DESCRIPTION
F1	30" Rewind Bracket
F2	VR-1 Vertical Rewind Assembly
F3	H-26 Ring Gear
F4	H-28 Ring Gear
F5	H-27 Pinion Gear
F6	H-29 Pinion Gear
F7	Pinion Shaft
F8	Pinion Shaft Collar
F9	Pinion Gear Guard (E-Coated)
F10	H-2A Pinion Shaft Bearing
F11	H-30A Brake Wheel
F12	H-31 Brake Spring
F13	H-3 Brake Pad
F14	H-18 Hand Crank
F15	Air Caliper Brake
F16	Pair of Brake Pads (For Air Caliper Brake)
F17	Comet Brake Assembly (IV Style)
F18	Comet Brake Strap Only (IV Style)
F19	Comet Brake Iron Hub (IV Style)
F20	EH-820 Bearing & Brake Assembly
F21	Ratchet Wheel
F22	PL-1 Pinlock
F23	PL-1 Pinlock with Extended Mounting Ears
F24	Ratchet Locking Assembly



SWIVEL JOINTS



MARSHALL HOSE SWIVEL

For use with all hose end valves. The swivel action makes connection of those end valve to filler valve much easier.

Item#	Connection Size
ME-850SS-6	3/4" MNPT x 3/4" FNPT
ME-850SS-6/8	1" MNPT x 3/4" FNPT
ME-850SS-8	1" MNPT x 1" FNPT
ME-850SS-8/6	3/4" MNPT x 1" FNPT



REPAIR PARTS

- LP-85 REPAIR KIT
- C9 PACKING KIT
- LP-92 TUBE OF GREASE



SMITH "FULL-CIRCLE" SWIVEL JOINTS SMAC-112

1 1/2" 90° joint is designed to replace a Hannay hose reel joint, or it can be used as a swivel in a rigid pipe loading arm system.